

01



/ kg/ . m kg/ . m kg/ . m



mm\* mm

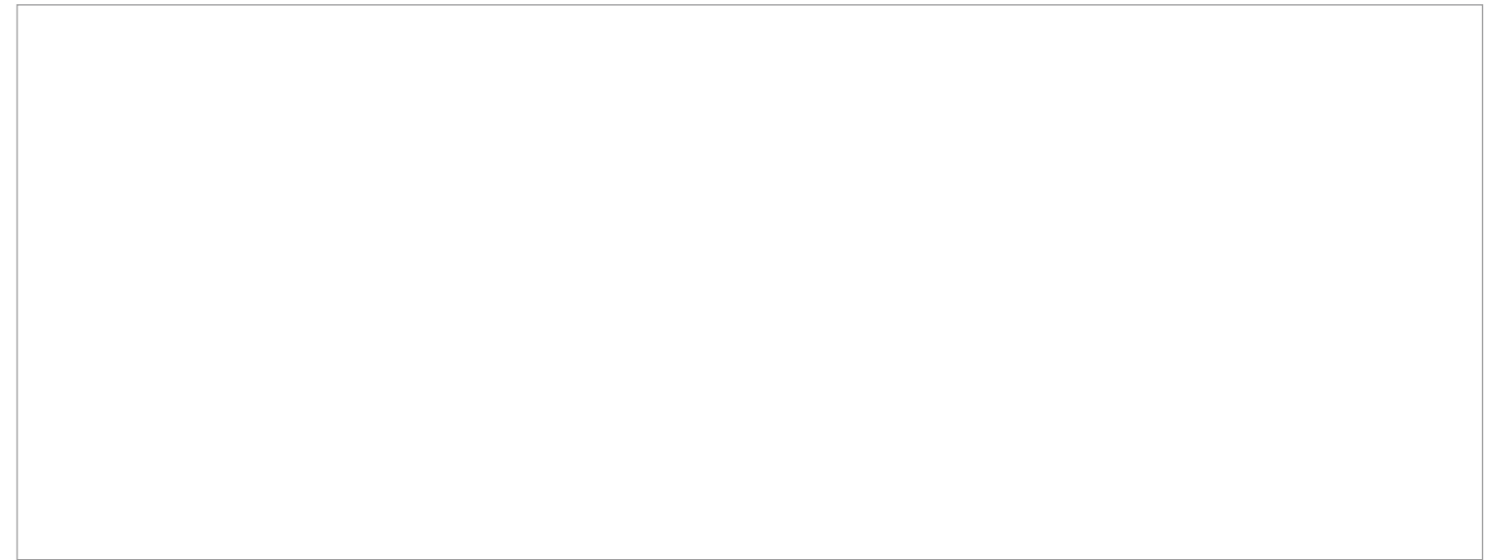


/SPECIFICATIONS

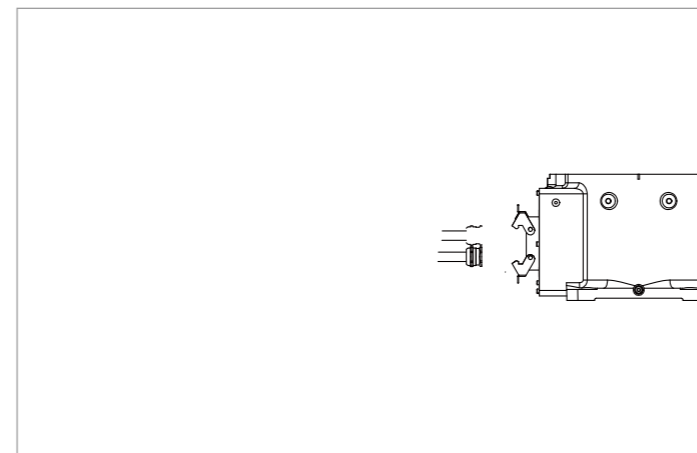
	ER -
	kg
	± . mm
	kg
	mm
	IP / IP
	IP / IP
	AC

	J	N m
	J	N m
	J	N m
	J	. kg m <sup>2</sup>
	J	. kg m <sup>2</sup>
	J	. kg m <sup>2</sup>
	J	°/sec
	J	°/sec
	J	°/sec
	J	°/sec
	J	°/sec
	J	°/sec
	J	± °
	J	+ °/- °
	J	+ °/- °
	J	± °
	J	± °
	J	± °

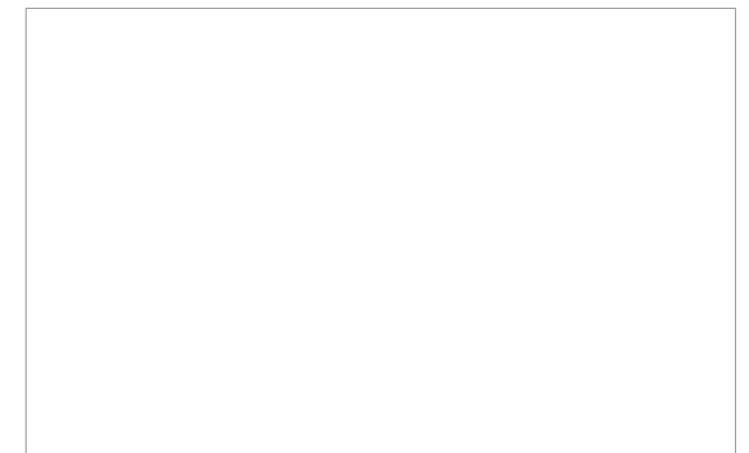
/OPERATING SPACE

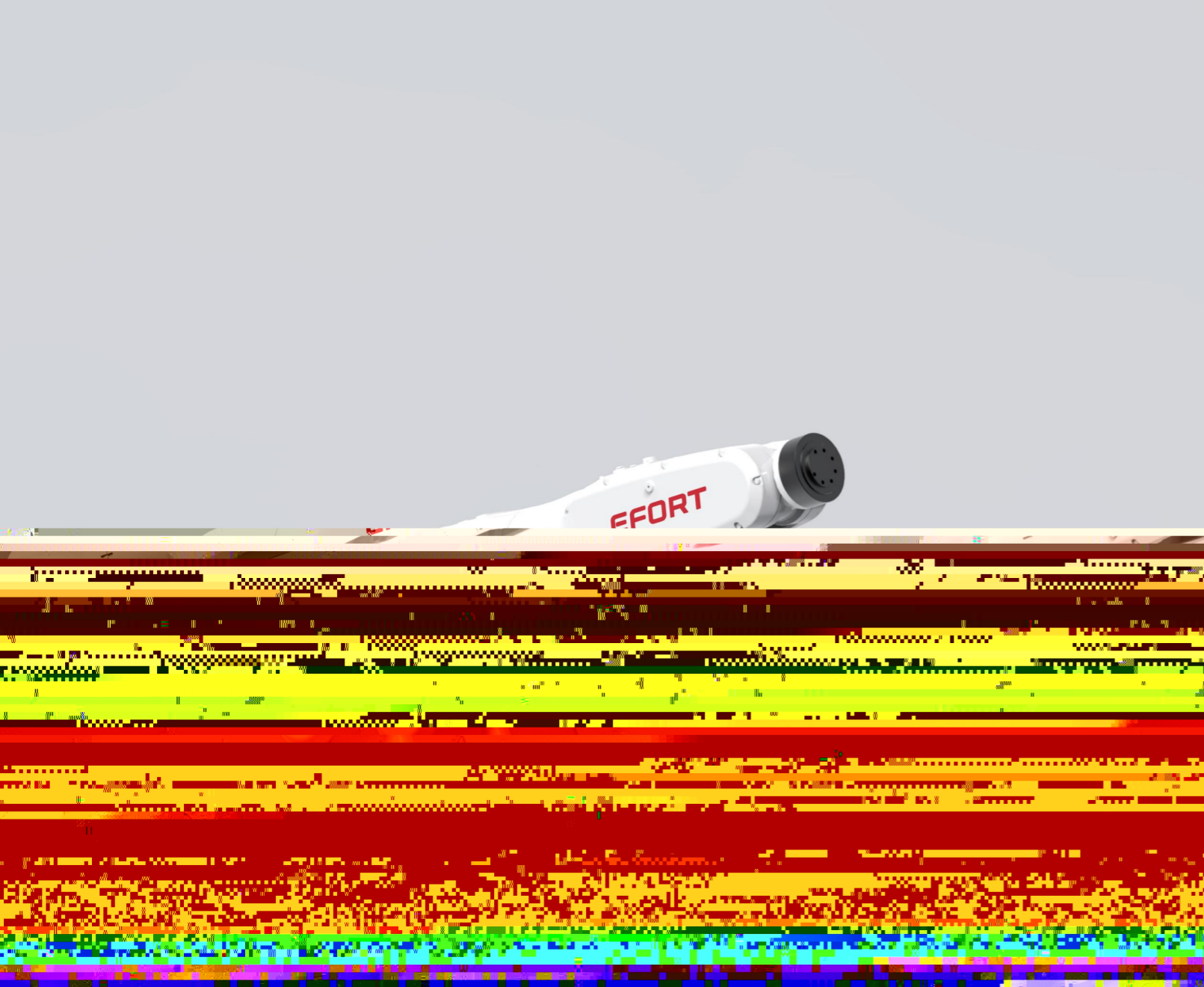


/BASE MOUNTING SIZE



/END FLANGE MOUNTING SIZE



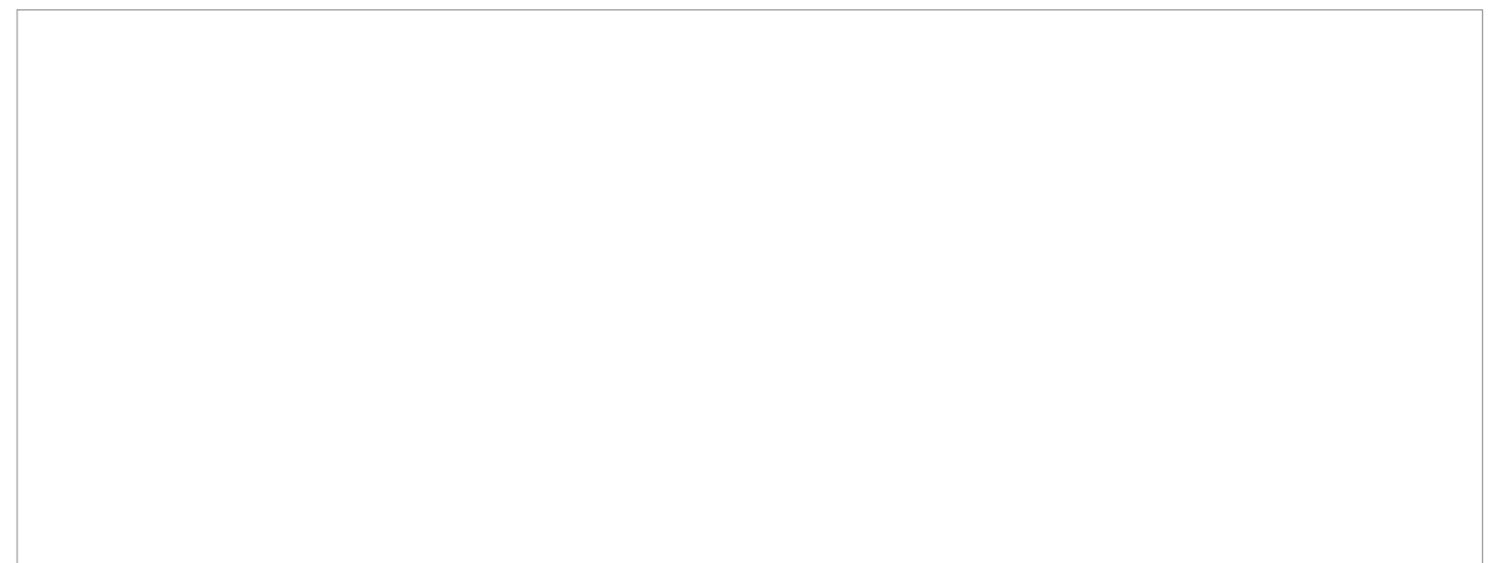


/SPECIFICATIONS

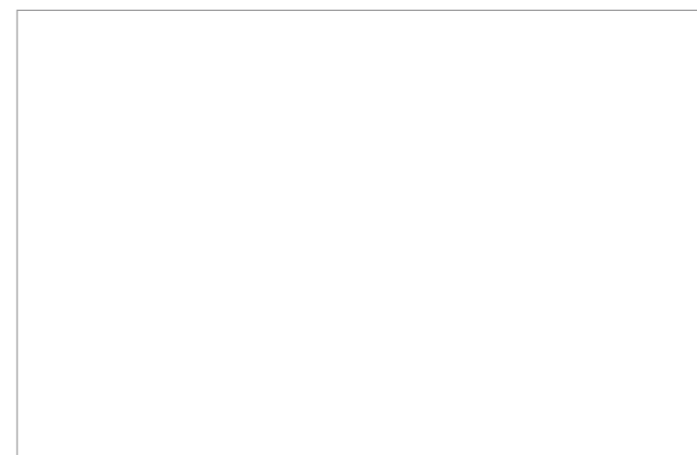
	ER -
	kg
	± . mm
	kg
	mm
	IP / IP
	IP / IP
	AC

J	N m
J	N m
J	N m
J	. kg m <sup>2</sup>
J	. kg m <sup>2</sup>
J	. kg m <sup>2</sup>
J	°/sec
J	°/sec
J	°/sec
J	°/sec
J	°/sec
J	°/sec
J	± °
J	+ °/- °
J	+ °/- °
J	± °
J	± °
J	± °

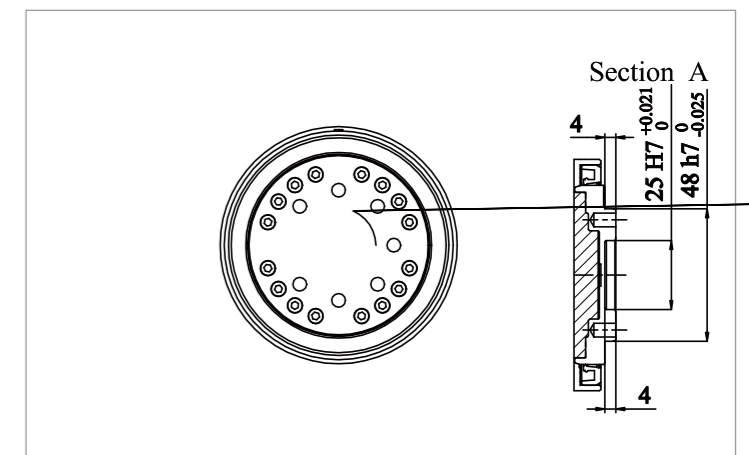
/OPERATING SPACE

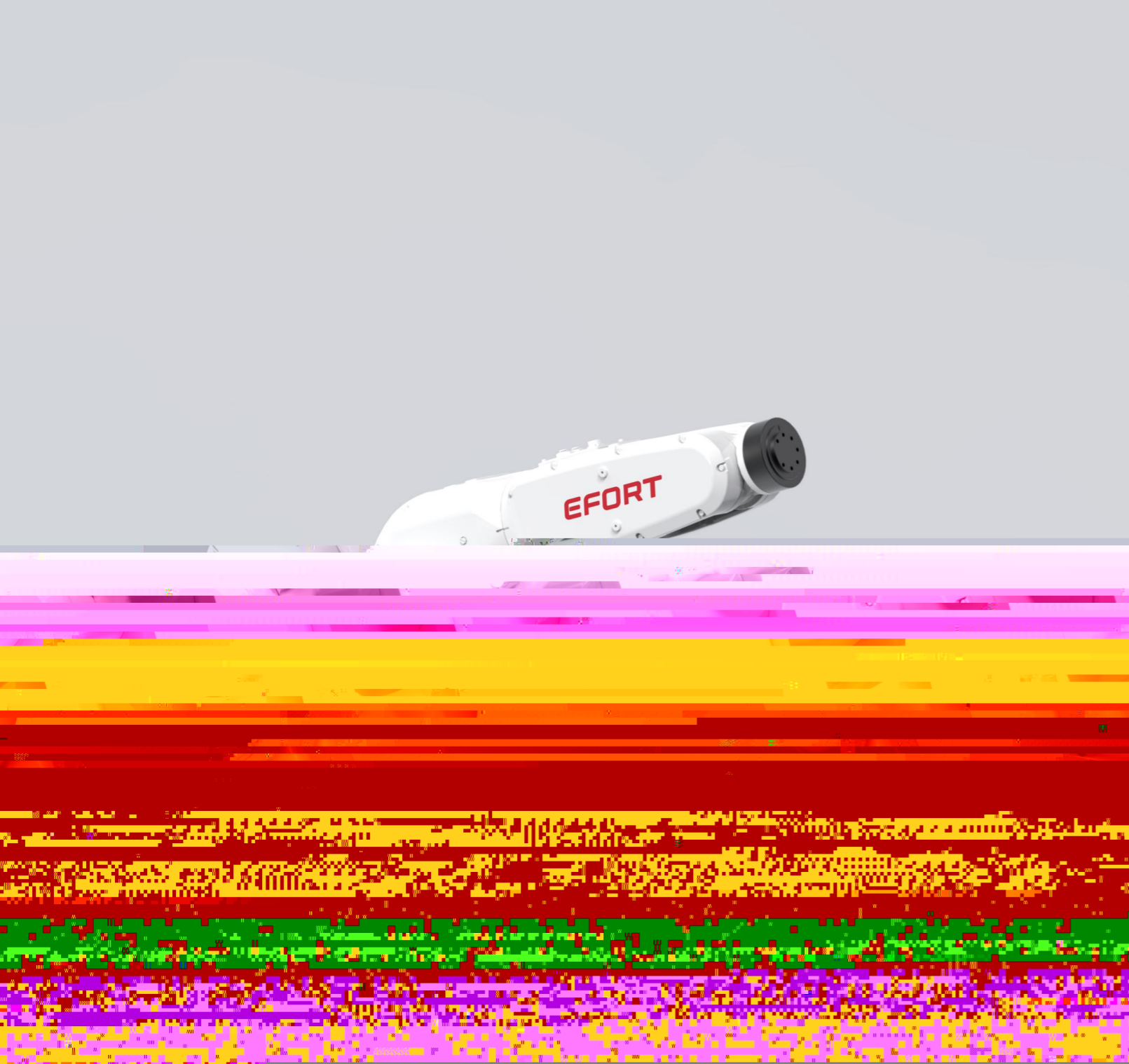


/BASE MOUNTING SIZE



/END FLANGE MOUNTING SIZE



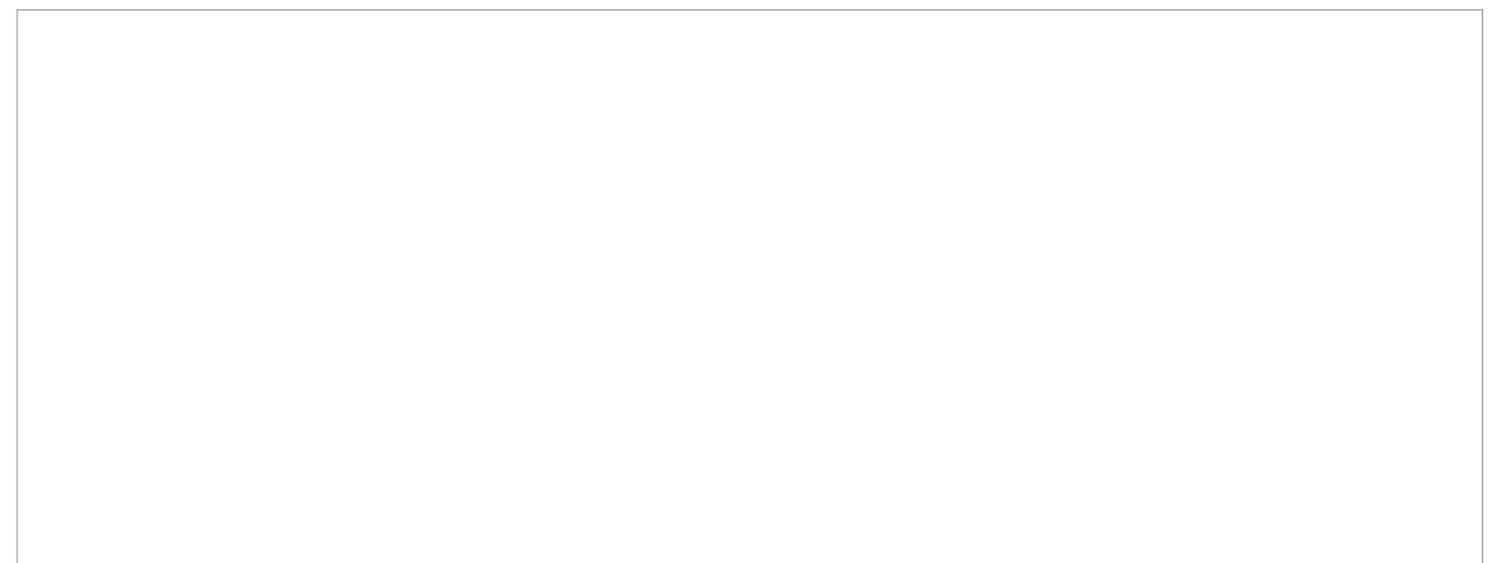


/SPECIFICATIONS

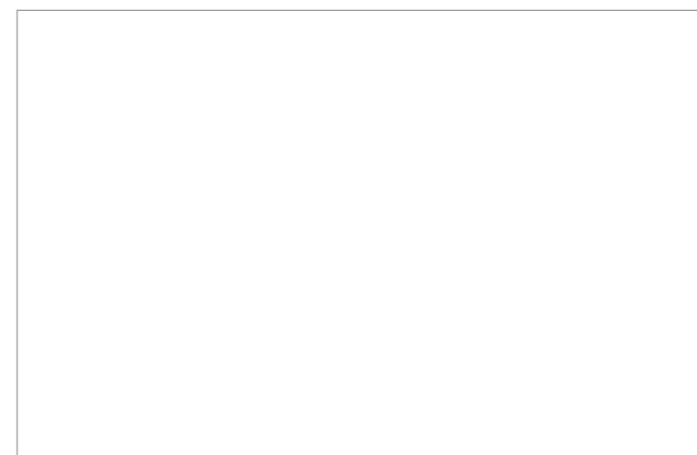
	ER -
	kg
	± . mm
	kg
	mm
	IP / IP
	IP / IP
	AC

J	N m
J	N m
J	N m
J	. kg m <sup>2</sup>
J	. kg m <sup>2</sup>
J	. k m <sup>2</sup>
J	°/sec
J	°/sec
J	°/sec
J	°/sec
J	°/sec
J	°/sec
J	± °
J	+ °/- °
J	+ °/- °
J	± °
J	± °
J	± °

/OPERATING SPACE



/BASE MOUNTING SIZE



/END FLANGE MOUNTING SIZE

