

01



/ kg/ . m kg/ . m kg/ . m



mm

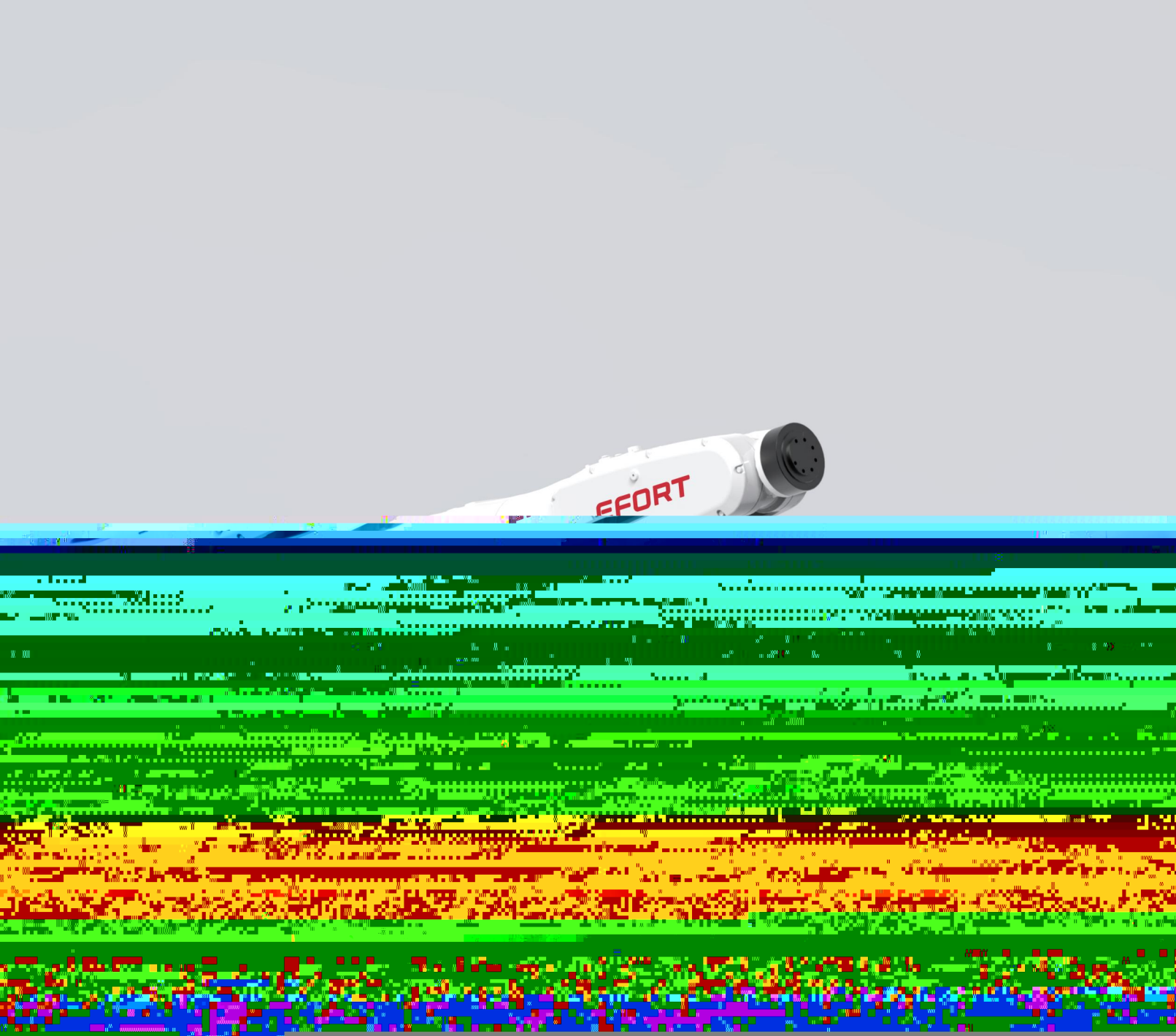


IP  
mm\* mm



02



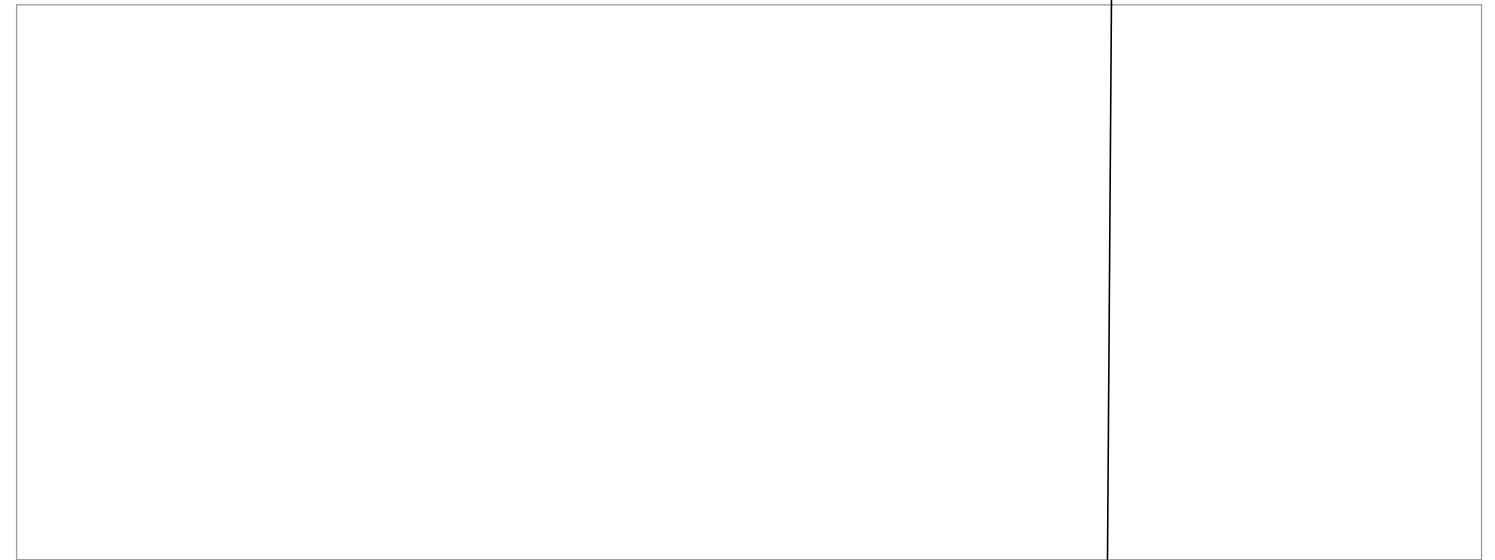


/SPECIFICATIONS

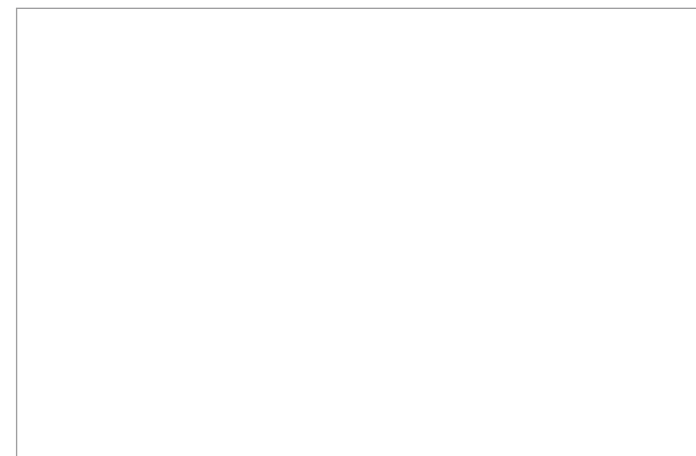
	ER -
	kg
	± . mm
	kg
	mm
	IP / IP
	IP / IP
	AC

J	N m
J	N m
J	N m
J	kg m <sup>2</sup>
J	kg m <sup>2</sup>
J	kg m <sup>2</sup>
J	°/sec
J	°/sec
J	°/sec
J	°/sec
J	°/sec
J	°/sec
J	± °
J	+ °/- °
J	+ °/- °
J	± °
J	± °
J	± °

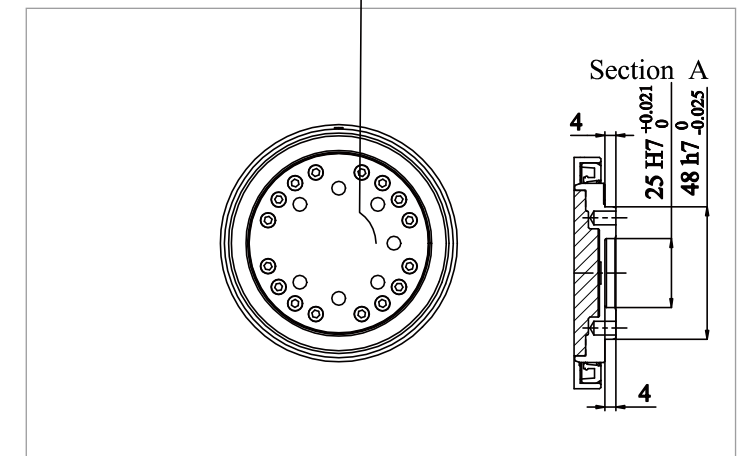
/OPERATING SPACE

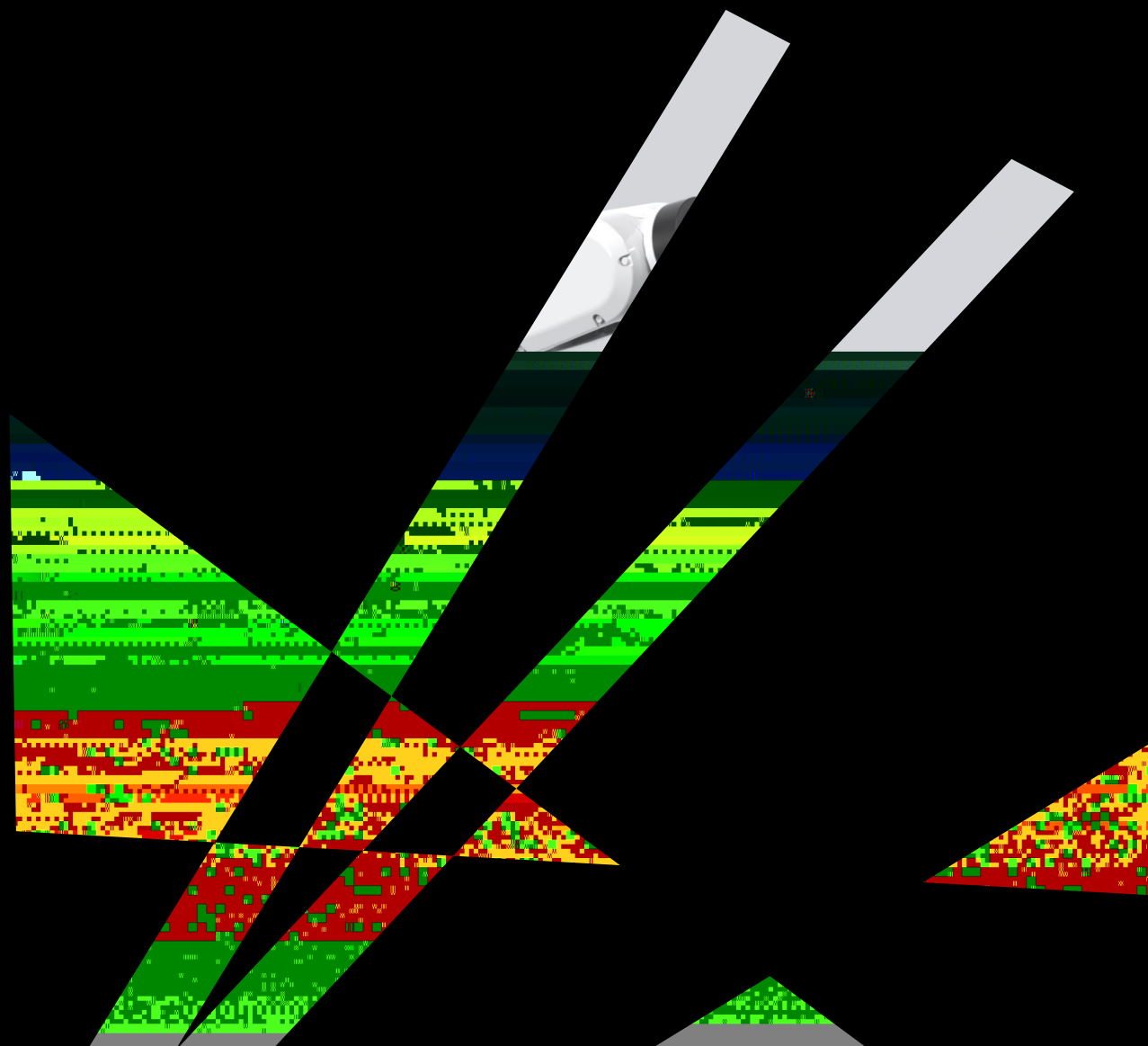


/BASE MOUNTING SIZE



/END FLANGE MOUNTING SIZE





		k m <sup>2</sup>
		°/sec
		°/sec
		°/sec
J		°/sec
J		°/sec
J		°/sec
J		°/sec
J		± °
J		+ °/- °
J		+ °/- °
J		± °
J		± °
J		± °

FACE

SIZE

/END FLANGE MOUNTING SIZE