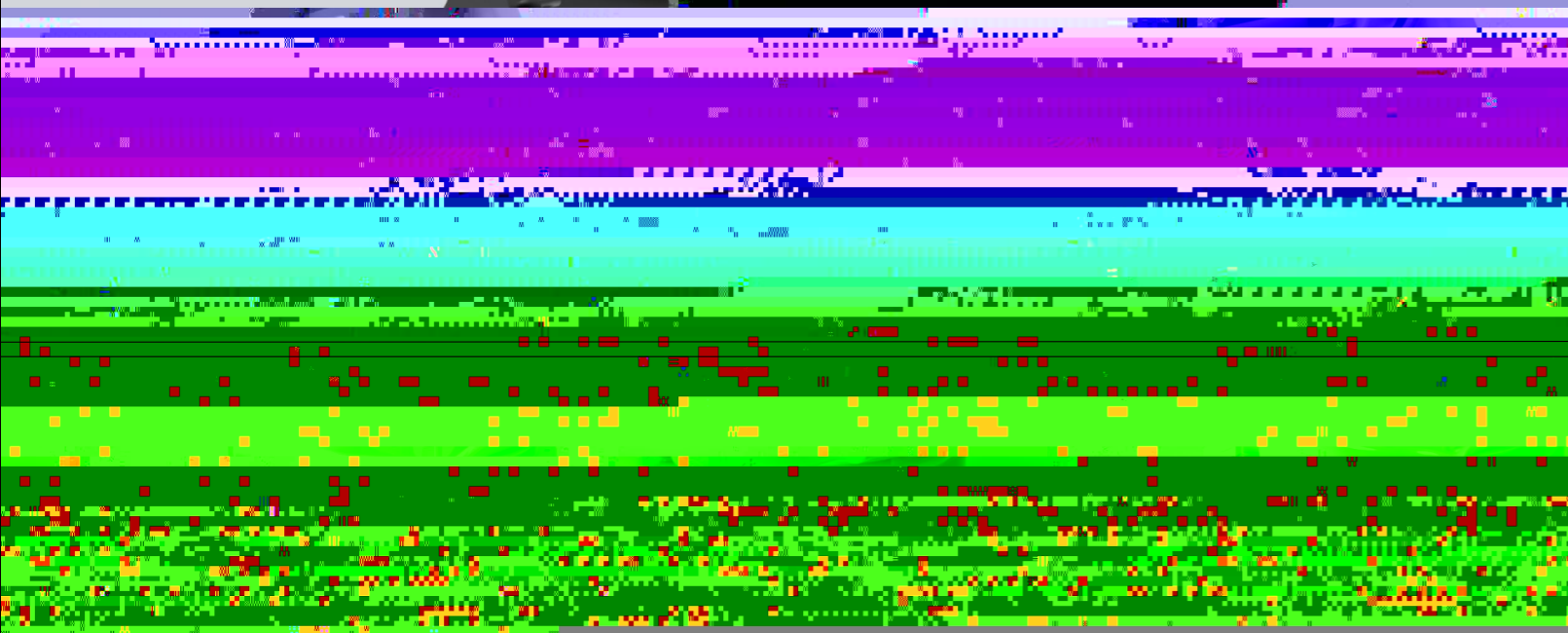


ER70-2100

ER - kg mm

PLC %

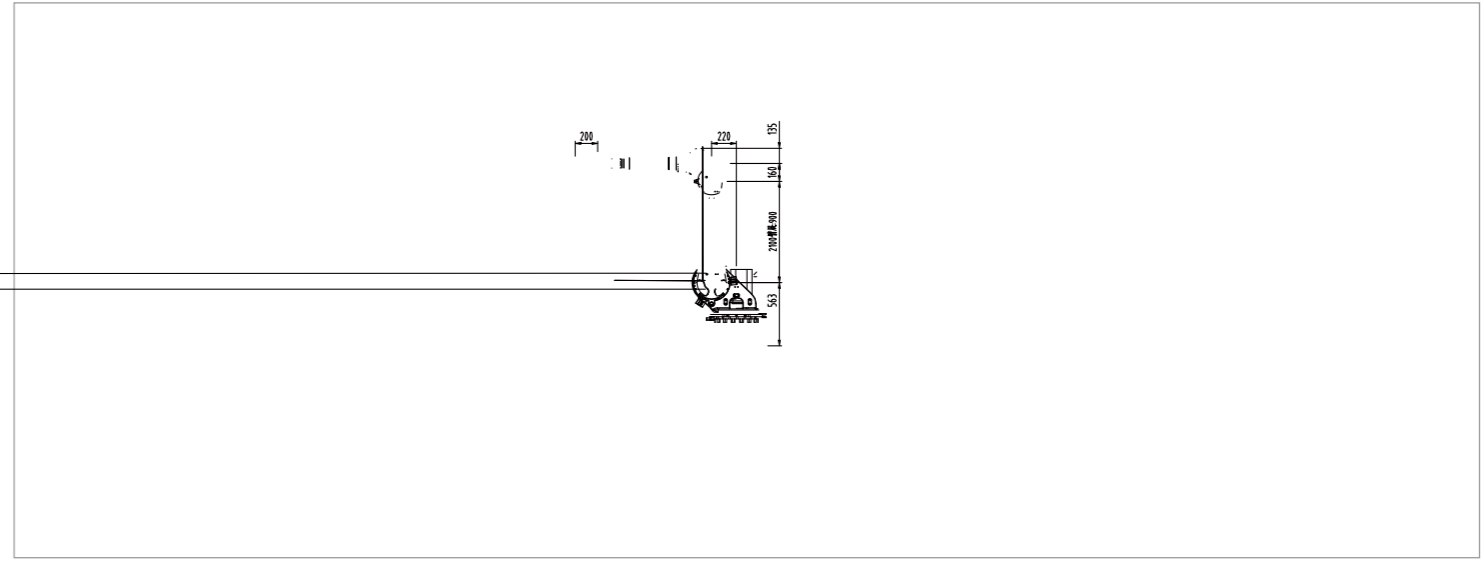


/ SPECIFICATIONS

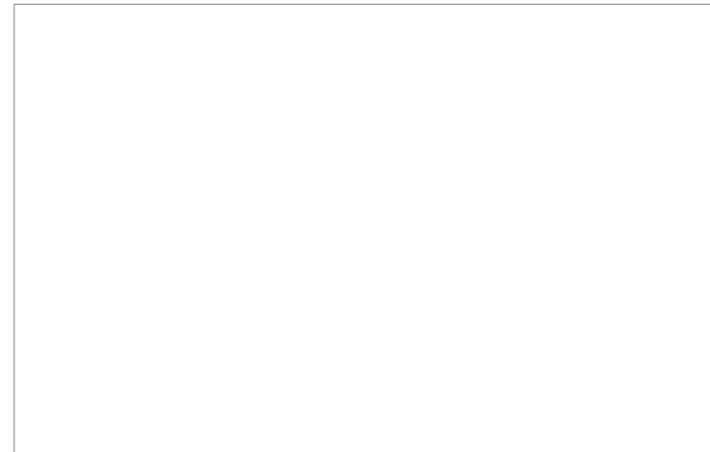
ER -
kg
± mm
kg
mm
IP / IP
IP
AC

<	N·m
<	N·m
<	N·m
<	m ² kg·
<	m ² kg·
<	kg·
<	/s°e c
<	/s°e c
<	/s°e c
<	/s°e c
<	/s°e c
<	/s°e c
<	± °
<	+ /- ° °
<	+ /- ° °
<	± °
<	± °
<	± °

/ OPERATING SPACE



/ BASE MOUNTING SIZE



/ END FLANGE MOUNTING SI

