

ER7-900

EFORT

7D ž

JY --

IP

C

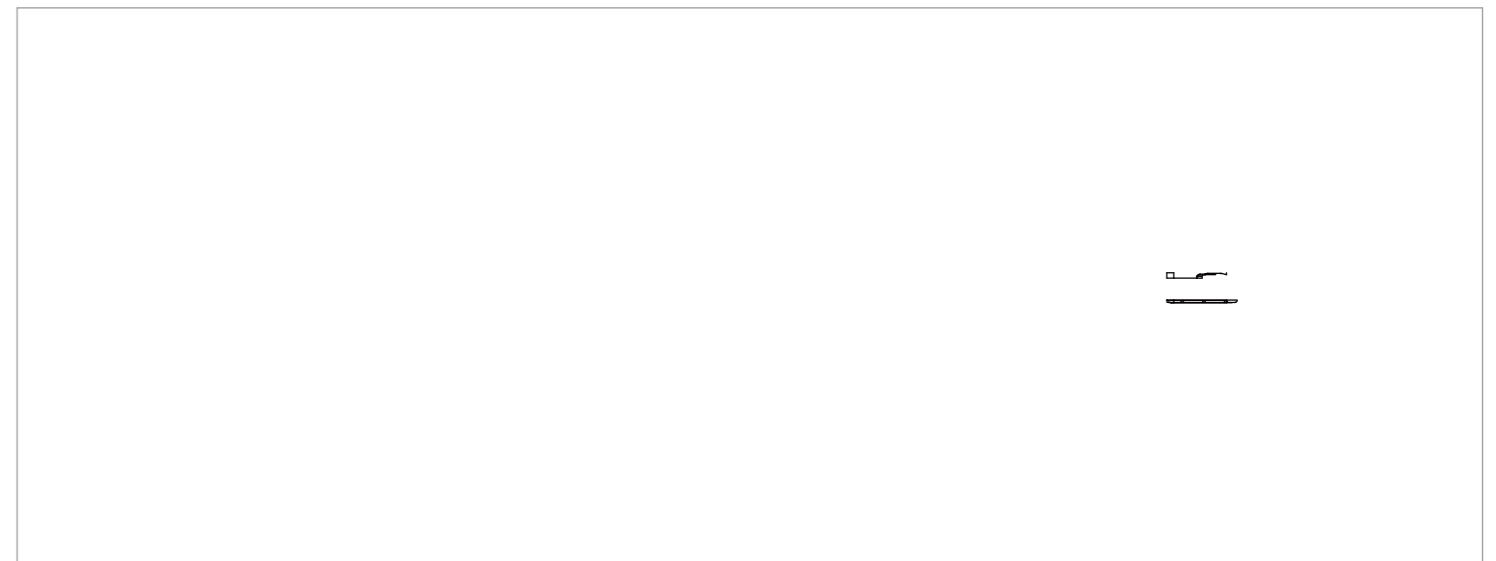


/SPECIFICATIONS

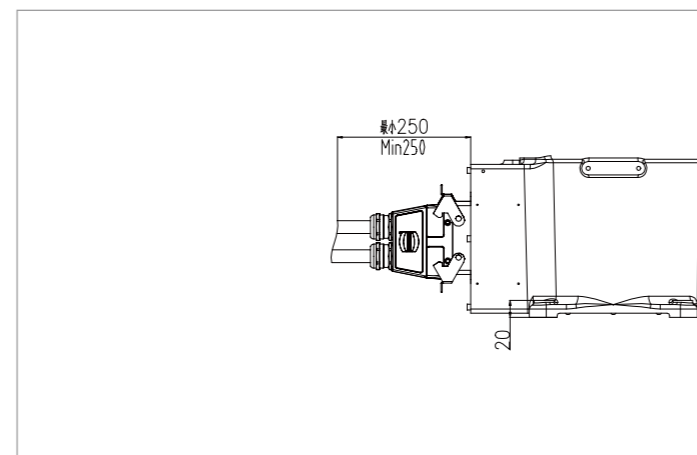
| | |
|--|------------------------|
| | ER - |
| | kg |
| | ± . mm |
| | kg |
| | mm |
| | IP /IP |
| | IP |
| | AC |
| | - |
| | RH % |
| | . m/s ² . G |

| | |
|---|---------------------|
| < | N m |
| < | N m |
| < | N m |
| < | . kg m ² |
| < | . kg m ² |
| < | . kg m ² |
| < | °/sec |
| < | °/sec |
| < | °/sec |
| < | °/sec |
| < | °/sec |
| < | °/sec |
| < | ± ° |
| < | + °/- ° |
| < | + °/- ° |
| < | ± ° |
| < | ± ° |
| < | ± ° |

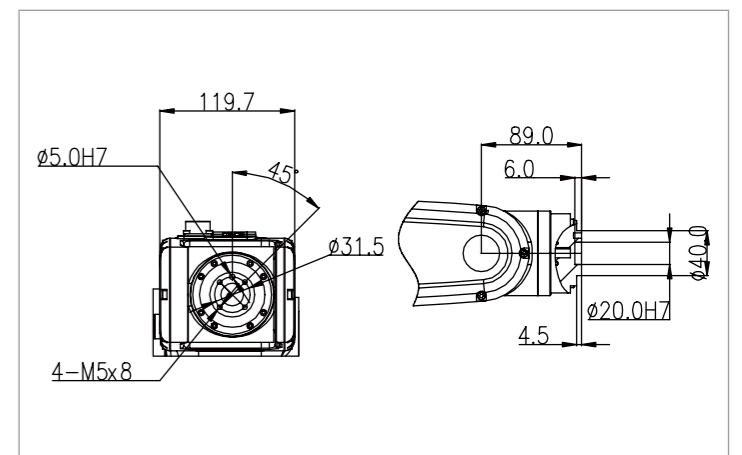
/OPERATING SPACE



/BASE MOUNTING SIZE



/END FLANGE MOUNTING SIZE



78ADF ;@F7>>;97@F 7CG;B? 7@F 5Až>F6ž

